

3 x 4 Keypad

Order Code	Manufacturers Part No	Description
585-020	N/A	3 x 4 data entry keypad

RoHS compliant

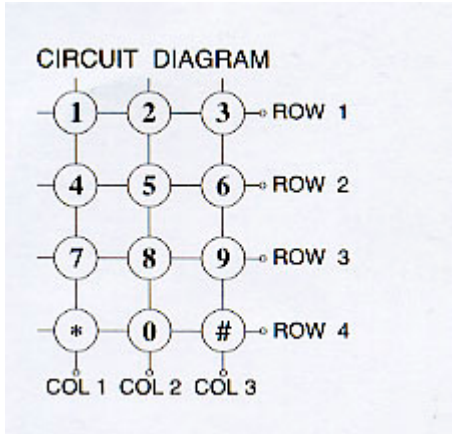
The enclosed information is believed to be correct. Information may change without notice due to product improvement. Check to ensure that the product is suitable for the intended application. E. and O.E

Telephone **01737 841568**
FAX **01737 841608**
Email technical@electronelec.co.uk
Web www.electronelec.co.uk

General Specification

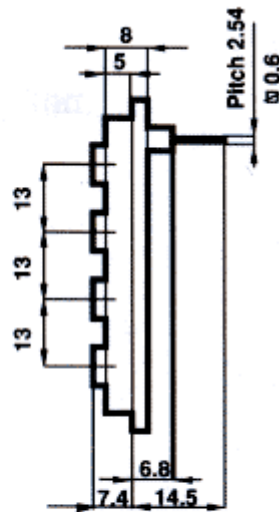
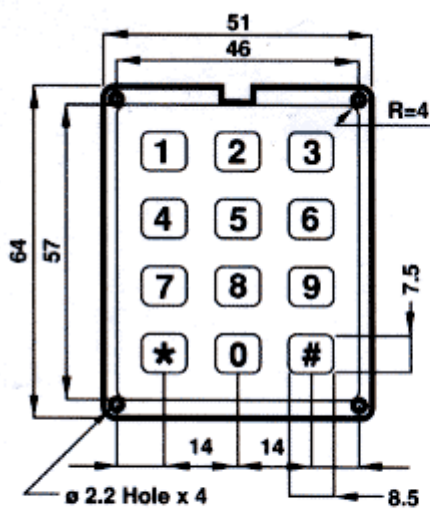
- Contact rating:20mA,24VDC
- Contact resistance:200 ohm max
- Life:1,000,000 cycles per key
- Operating Temperature: -20□ to +60□
- Storage Temperature: -40□ to +65□

Standard Matrix Circuit Diagram



AK-304-FM

OUTPUT ARRANGEMENT	
OUTPUT PIN NO.	SYMBOL
1	ROW 1
2	ROW 2
3	ROW 3
4	ROW 4
5	COL 1
6	COL 2
7	COL 3



ACTUATING FORCE: 100 ± 30 GRAMS.
STROKE: 1.4 ± 0.3 mm.