

GP GP17R8H NiMH battery

Order Code	Manufacturers Part No	Description
100-189	GP17R8H	PP3 NiMH battery 170mAh

RoHS Exempt

The enclosed information is believed to be correct. Information may change without notice due to product improvement. Check to ensure that the product is suitable for the intended application. E. and O.E

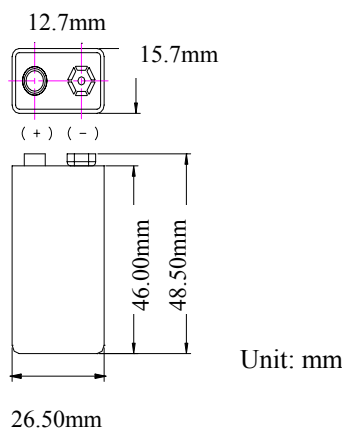
Telephone **01737 841568**
FAX **01737 841608**
Email technical@electronelec.co.uk
Web www.electronelec.co.uk

GP Batteries

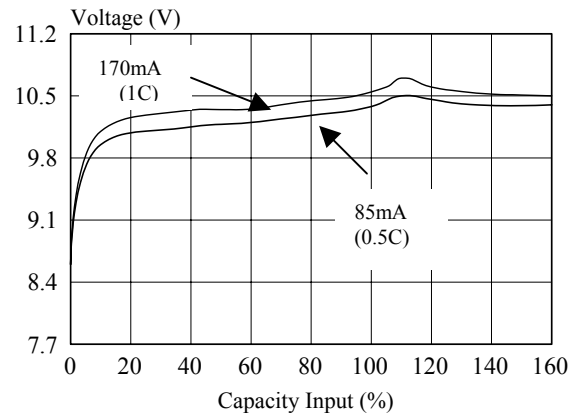
Data Sheet

Model No.: GP17R8H

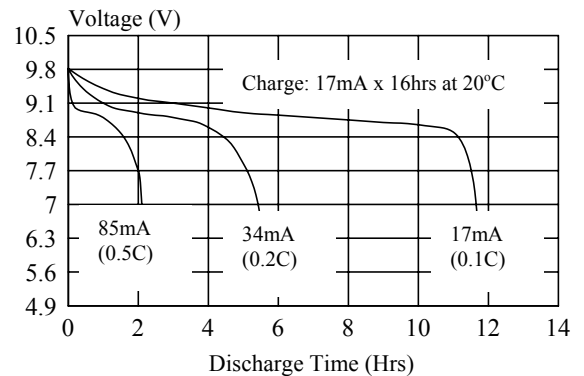
Type	Rechargeable Nickel Metal Hydride Cylindrical Cell	
Nominal Dimension (with Sleeve)	15.7 mm(l) x 26.5 mm(w) x 48.5 mm(h)	
Applications	Recommended discharge current 17 to 510 mA	
Nominal Voltage	8.4V	
Capacity	Minimum: 170 mAh Typical: 175 mAh when discharged at 0.2C to 1.0V at 20°C	
Charging Condition	17 mA for 16 hrs at 20°C	
Fast Charge	85 mA to 170 mA (0.5 to 1C) charge termination control recommended control parameters: -ΔV : 0 - 35mV DT/dt ** : 0.8°C/min (0.5 to 0.9C) : 0.8 - 1°C/min (1C) TCO ** : 45 - 50°C Timer **: 105% nominal input ** For reference only	
Service Life	>500 cycles (IEC standard) Up to 1000 cycle (noy less than 60% of Nominal at 0.1C charge / 0.2C Discharge)	
Continuous Overcharge	17 mA maximum current for 1 year No conspicuous deformation and/or leakage	
Weight	32.0 g	
Internal Resistance	Maximum 2000 mΩ upon fully charged at 1000HZ	
Max. Charging Voltage	10.5V at 17 mA charging	
Ambient Temperature Range	Standard Charging	0 to 45°C
	Fast Charging	10 to 45°C
	Discharging	-20 to 50°C
	Storage	-20 to 35°C



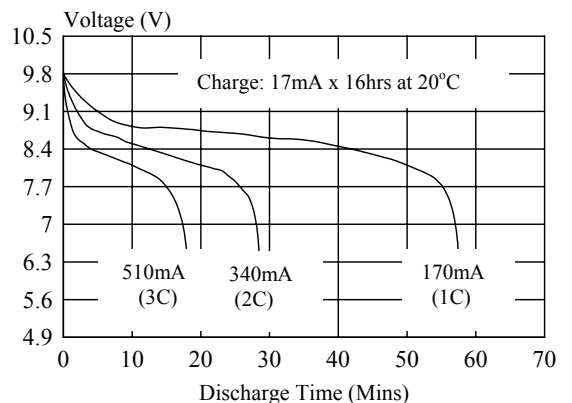
Fast Charge (charge control required)



Low Rate Discharge



High Rate Discharge



* The information (subject to change without prior notice) contained in this document is for reference only and should not be used as a basis for product guarantee or warranty. For applications other than those described here, please consult your nearest GP Sales and Marketing Office or Distributors.